

MB-CWB-200

CWB 3.6.2 InvincStable 200Wh Conformal Wearable Battery

- Highest energy density CWB
- MIL-PRF 32383 / 4 Qualified, Mission Capable



Advanced Features

<p>Warfighter Safe</p>	<ul style="list-style-type: none"> • Ballistic impact/Penetration safe • Water safe: immersible • Electrically safe: 3 levels of charge/discharge safety protection • Wide temperature operating range • EMI/RFI/EMC protection
<p>Innovative & Patented Design</p>	<ul style="list-style-type: none"> • FlexPack conformal design technology • Flexes across both horizontal & vertical axes • Lightweight & thin profile optimizes ergonomics • State of Charge (SOC) Informational Character Display (ICD)
<p>Ruggedized for Military (Operation & Storage)</p>	<ul style="list-style-type: none"> • MIL-STD-810G Tested • MIL-STD-461 EMI/EMC Tested • Long Service Life, 500+ Cycles (80% Capacity Remains) • Charges as Low as -20°C • No Memory Effect • Enhanced Case Ruggedization
<p>Military Systems Interoperability</p>	<ul style="list-style-type: none"> • Nett Warrior • Smart Solider Systems • Small Unit Power • Expeditionary Power • Warfighter Worn Integrated Power (Central Power) • Anti-Ballistic Plate Holder / Pouch Compatible • SMBus 1.1 Compliant • Power Managers / Power Hubs

MB-CWB 200

CWB 3.6.2 InvincStable

200Wh Conformal Wearable Battery



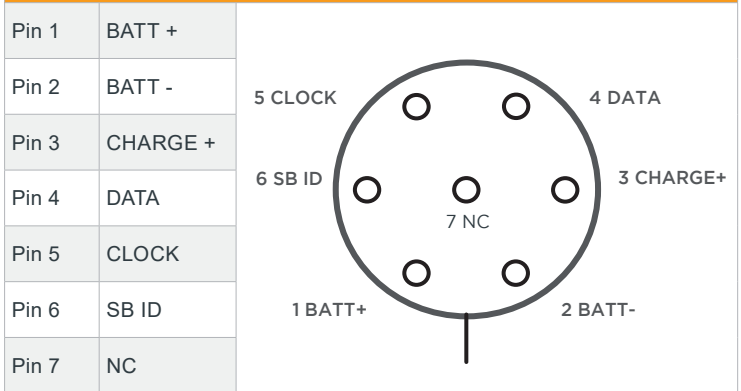
Specifications

Part Number	993513-US
Model Number	MB-CWB-200-r01
NSN Number	6140-01-705-6042
Nominal Voltage	15.2V
Nominal Capacity	12.9Ah, C/5 Rate, 23°C
Maximum Discharge Current	5.0 Continuous
Energy / Total Power	196 Wh
USB Power Only	Type A Socket, 7.5W, 1.5A, 5V
Chemistry	Li-ion
Communication	SMBus v1.1
Weight	2.8 lbs (1.27 kg)
Dimensions	7.7" x 8.7" x 0.70" (196 mm x 221 mm x 18 mm)
Cycle Life	80% Capacity after 500 cycles
Operating Temperature	-30°C to 60°C
Charging Temperature	-20°C to 55°C
Storage Temperature	-32°C to 71°C
Primary Mating Connector	Glenair 807-309-06ZNU6-6PY (6 Pin) or 7DY (7 Pin)
Transportation	IATA Certified/UN-Class 9/SDS 993465
Water Immersion	1 Meter for 2 Hrs (MIL-STD 810G/Method 512.5)
EMI Standards	MIL-STD 461

Recommended Chargers

Compatible with most common chargers	Inventus Power 6-Bay CWB Charger (MC-DTC-6CWB)
	ABC Charger (BTC-70100)
	Universal Battery Charger (UBC - 410287-1502)
	Universal Battery Charger Lite (UBCL - 1600903-2)

Cable Connector Pin-Out Diagram



Flex Limit

